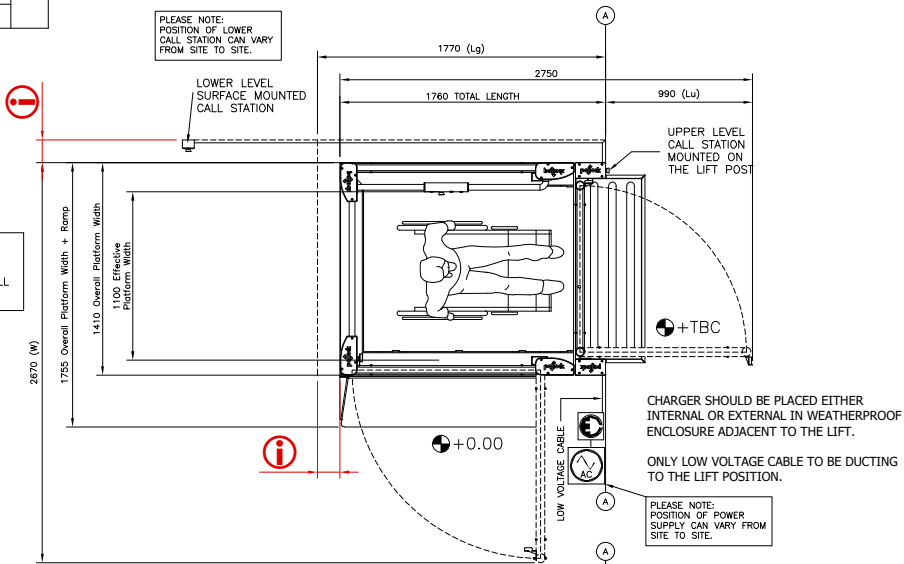


| ADJACENT SURFACE DISTANCE                       |  |  |
|---|--|--|
| Edges between the Platform & Adjacent Wall [mm] | Full Height Continuous and Smooth Wall | Partial Height Wall with Projection or Recesses      |
| <10   | ✓                                      | Sensitive edge, photo cell or light curtain required |
| >10 - <100                                      | ✓                                      | Sensitive edge, photo cell or light curtain required |
| >100 - <300                                     | ✓                                      | Sensitive edge, photo cell or light curtain required |
| >300  | ✓                                      | Sensitive edge, photo cell or light curtain required |

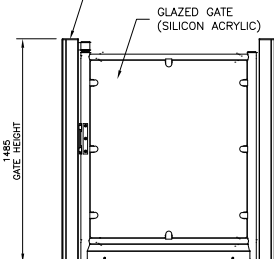
Table A

**NOTE**  
A 1500mm TURNING CYCLE IS REQUIRED ON EACH LANDING. IF THIS CAN NOT BE ACHIEVED BUILDING CONTROL CONSENT WILL BE REQUIRED

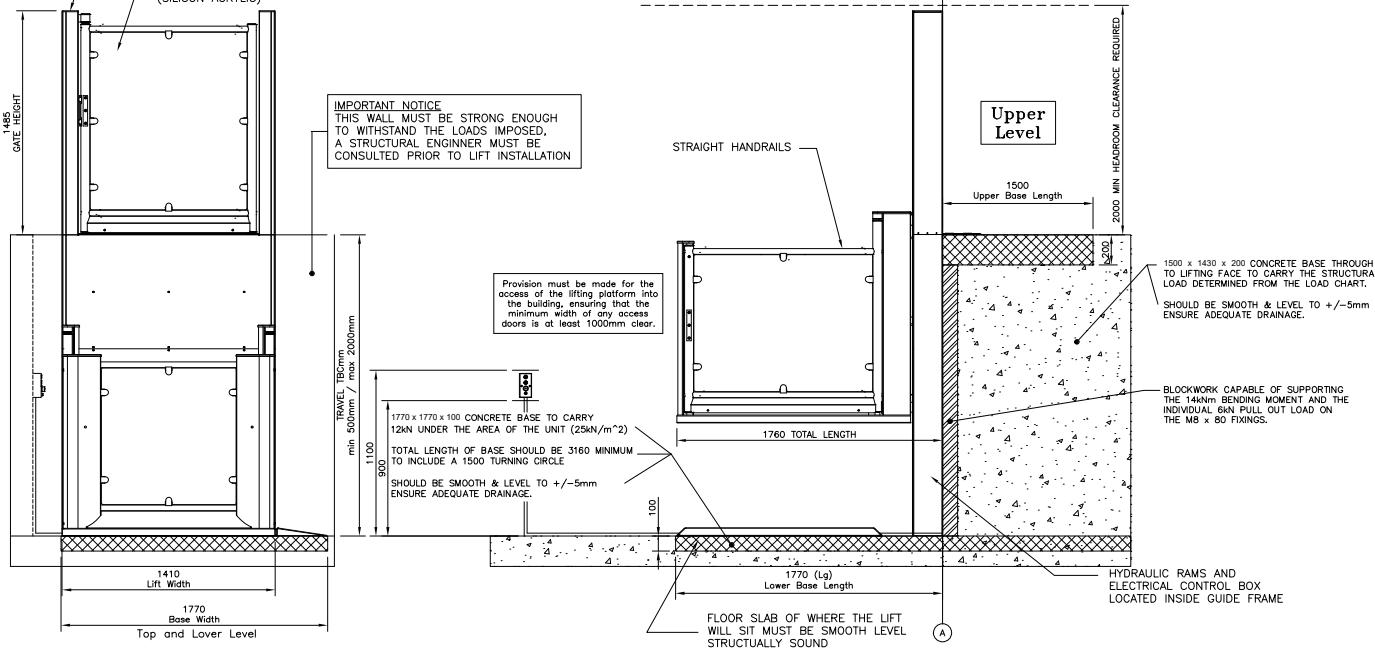
PLEASE NOTE: POSITION OF LOWER CALL STATION CAN VARY FROM SITE TO SITE.



GUIDE FRAME SECURED TO THE WALL, COMES COMPLETE WITH CALL BUTTON AND IS SUPPLIED AND FITTED BY POLLOCKLIFTS



**IMPORTANT NOTICE**  
THIS WALL MUST BE STRONG ENOUGH TO WITHSTAND THE LOADS IMPOSED. A STRUCTURAL ENGINEER MUST BE CONSULTED PRIOR TO LIFT INSTALLATION



| Change History Record |            |          |          |
|-----------------------|------------|----------|----------|
| Issue                 | CHANGE No. | DATE     | INITIALS |
| A                     | -----      | 19/09/11 | TL       |
| B                     | CR0598     | 29/10/12 | TL       |
| C                     | CR0653     | 31/05/13 | TL       |

|                                      |        |
|--------------------------------------|--------|
| Minimum Footprint Width (W)          | 2670mm |
| Minimum Ground Footprint Length (Lg) | 1770mm |
| Minimum Upper Footprint Length (Lu)  | 990mm  |

**BUILDERS WORK AND GENERAL NOTES - STEP LIFT**

- GENERAL
  - Clear access into and through the building for the passage of the lift equipment and personnel must be maintained.
  - Unload delivered materials and store in a suitable dry and secure location within 5m of intended lift site. Parts should be handled with care and slung correctly to avoid damaging components and decorative finishes. Parts may become damaged by storage outside or in damp conditions.
- DIMENSIONS AND TOLERANCES  
Do not scale from the drawings. All dimensions are in millimetres except where otherwise stated. All dimensions are to be measured from datum line AA.
- LIFT AREA
  - Floor and side walls in the area where the platform lift is to be located must be firm, smooth level, suitably drained and have no projections or recesses across their face. Any walls surrounding the lift should be positioned as per Table A away from the lift edges in order to eliminate trapping hazards.
  - Make good where necessary around the platform lift and its associated equipment after they are finally positioned and fixed.
- ELECTRICAL WORKS
  - Provide a 230V, 1 phase, 50 hertz, 3 wire permanent supply terminating in a fused spur 13A within close vicinity of the lift (within the fabric of the building + A 20mm Duct installed terminating at lift position as indicated). The switch 5A Charging Circuit must be able to accept 1 x 5A HRC fuse, GEC type 'T' or equivalent fuses to BS88 Part 2, alternatively a 6A MCB may be use.
  - For External Installation it is recommended that lighting is provided controlled by PIR's.
  - The electrical work must comply with the latest revision of the IEE Wiring Regulations.
  - It is recommended that the supply is protected by a suitable RCD.
  - Where flush / surface mounted call stations are required, walls should be chased out prior to lift installation to allow for mounting of cable conduit and call panels. Client to make good after lift commissioning.

**BUILDING WORK REQUIRED**

- .....
- .....
- .....
- .....
- .....
- .....
- .....

| APPROVAL | APPROVED WORKING DRAWING |            |
|----------|--------------------------|------------|
|          | BY:.....                 | COMP:..... |
|          | SIGNED:.....             | DATE:..... |

NOTE: THE ABOVE BUILDING WORK MUST BE CARRIED OUT PRIOR TO THE LIFT INSTALLATION

| LIFT DATA         |                      |          |            |
|-------------------|----------------------|----------|------------|
| PLATFORM SIZE     | 1100W RH SIDE ACCESS | RAL 9007 | TRAVEL TBC |
| UPPER GATE HANDED | LEFT HAND            | TBC      |            |
| LOWER GATE HANDED | RIGHT HAND           | TBC      |            |



UNIT: 2m STEPLIFT  
NAME: GENERAL ARRANGEMENT

60900866