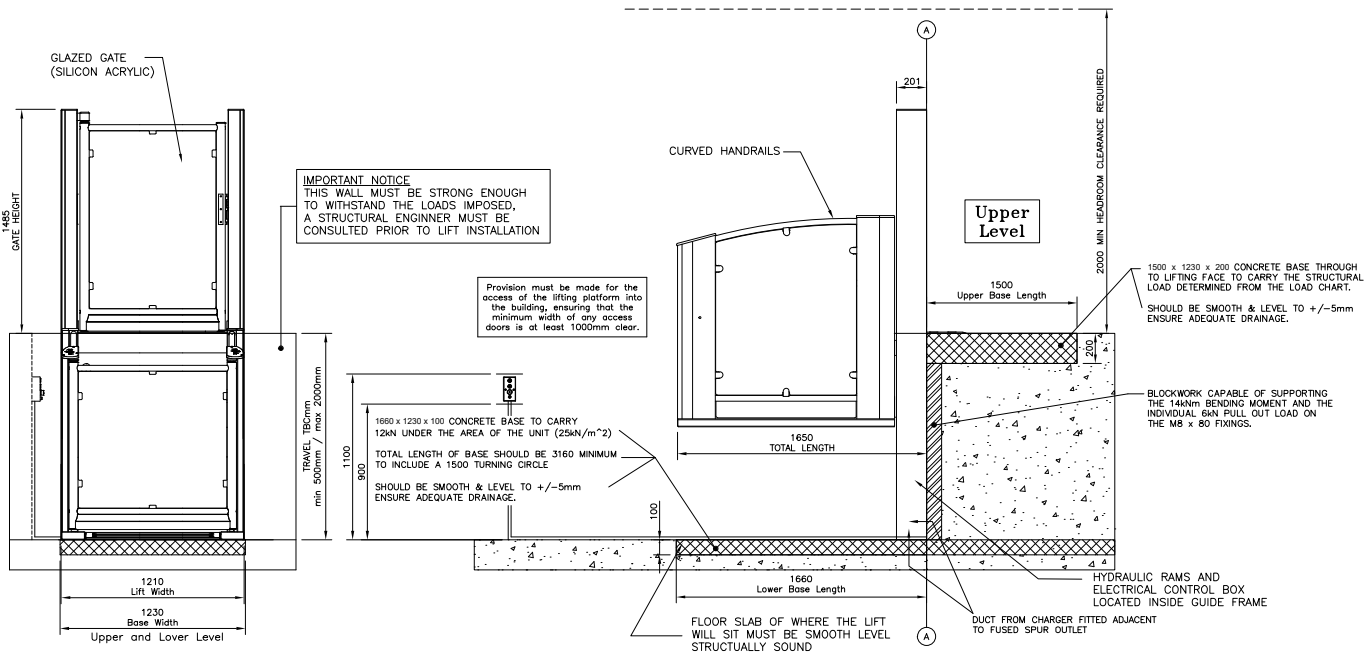
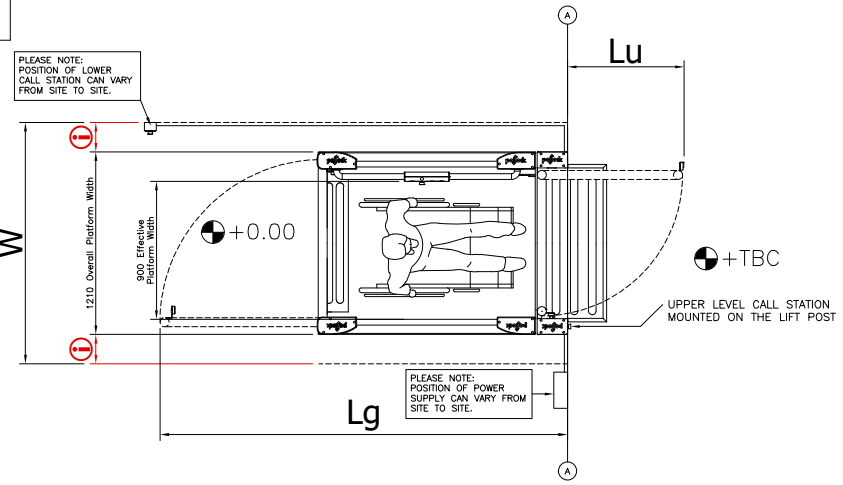


ADJACENT SURFACE DISTANCE

Edge between Platform & Adjacent Wall [mm]	Full Height Continuous and Smooth Wall	Partial Height Wall with Projection or Recesses
<10	✓	Sensitive edge, photo cell or light curtain required
>10 - <100	✓	Sensitive edge, photo cell or light curtain required
>100 - <300	✓	Sensitive edge, photo cell or light curtain required
>300	✓	Sensitive edge, photo cell or light curtain required

Table A

NOTE
A 1500mm TURNING CYCLE IS REQUIRED ON EACH LANDING. IF THIS CAN NOT BE ACHIEVED BUILDING CONTROL CONSENT WILL BE REQUIRED



IMPORTANT NOTICE
THIS WALL MUST BE STRONG ENOUGH TO WITHSTAND THE LOADS IMPOSED, A STRUCTURAL ENGINEER MUST BE CONSULTED PRIOR TO LIFT INSTALLATION

Provision must be made for the access of the lifting platform into the building, ensuring that the minimum width of any access doors is at least 1000mm clear.

1660 x 1230 x 100 CONCRETE BASE TO CARRY 12kN UNDER THE AREA OF THE UNIT (25kN/m²)
TOTAL LENGTH OF BASE SHOULD BE 3160 MINIMUM TO INCLUDE A 1500 TURNING CYCLE
SHOULD BE SMOOTH & LEVEL TO +/-5mm ENSURE ADEQUATE DRAINAGE.

1500 x 1230 x 200 CONCRETE BASE THROUGH TO LIFTING FACE TO CARRY THE STRUCTURAL LOAD DETERMINED FROM THE LOAD CHART.
SHOULD BE SMOOTH & LEVEL TO +/-5mm ENSURE ADEQUATE DRAINAGE.

BLOCKWORK CAPABLE OF SUPPORTING THE 14kNm BENDING MOMENT AND THE INDIVIDUAL 6kN FULL OUT LOAD ON THE M8 x 80 FIXINGS.

FLOOR SLAB OF WHERE THE LIFT WILL SIT MUST BE SMOOTH LEVEL STRUCTURALLY SOUND

Change History Record

Issue	CHANGE No.	DATE	INITIALS
A	-----	19/09/11	TL
B	CR0598	29/10/12	TL

Minimum Footprint Width (W)	1230mm
Minimum Ground Footprint Length (Lg)	2720mm
Minimum Upper Footprint Length (Lu)	790mm

FOR EXTERNAL LIFT POWER SUPPLY NEED TO BE LOCATED INSIDE BUILDING AND DUCTED TO LIFT POSITION

BUILDERS WORK AND GENERAL NOTES – STEP LIFT

The customer is responsible for carrying out the work below. These are required for the lift to comply with the Supply of Machinery (Safety) Regulations 1992. If any points are not clear, please contact Tecno Platform Lifts without delay.

- 1.0 GENERAL
 - 1.1 Clear access into and through the building for the passage of the lift equipment and personnel must be maintained.
 - 1.2 Unload delivered materials and store in a suitable dry and secure location within 5m of intended lift site. Parts should be handled with care and slung correctly to avoid damaging components and decorative finishes. Parts may become damaged by storage outside or in damp conditions.
- 2.0 DIMENSIONS AND TOLERANCES

Do not scale from the drawings. All dimensions are in millimetres except where otherwise stated. All dimensions are to be measured from datum line AA.
- 3.0 LIFT AREA
 - 3.1 Floor and side walls in the area where the platform lift is to be located must be firm, smooth level, suitably drained and have no projections or recesses across their face. Any walls surrounding the lift should be positioned as per Table A away from the lift edges in order to eliminate trapping hazards.
 - 3.2 Make good where necessary around the platform lift and its associated equipment after they are finally positioned and fixed.
- 4.0 ELECTRICAL WORKS
 - 4.1 Provide a 230V, 1 phase, 50 hertz, 3 wire permanent supply terminating in a fused spur 13A within close vicinity of the lift (within the fabric of the building + A 20mm Duct installed terminating at lift position as indicated). The switch 5A Charging Circuit must be able to accept 1 x 5A HRC fuse, GEC type 'T' or equivalent fuses to BS88 Part 2.
 - 4.2 For External Installation it is recommended that lighting is provided controlled by PIR's.
 - 4.3 The electrical work must comply with the latest revision of the IEE Wiring Regulations.
 - 4.5 It is recommended that the supply is protected by a suitable RCD.
 - 4.6 Where flush / surface mounted call stations are required, walls should be chased out prior to lift installation to allow for mounting of cable conduit and call panels. Client to make good after lift commissioning.

BUILDING WORK REQUIRED

- 1-
- 2-
- 3-
- 4-
- 5-
- 6-
- 7-

APPROVAL	APPROVED WORKING DRAWING	
	BY:.....	COMP:.....
	SIGNED:.....	DATE:.....

NOTE: THE ABOVE BUILDING WORK MUST BE CARRIED OUT PRIOR TO THE LIFT INSTALLATION

LIFT DATA			
PLATFORM SIZE	900W	RAL 9007 COLOUR	Travel TBC
UPPER GATE HANDED	RIGHT HAND	TBC	
LOWER GATE HANDED	RIGHT HAND	TBC	



UNIT: 2m STEPLIFT
NAME: GENERAL ARRANGEMENT

60900926