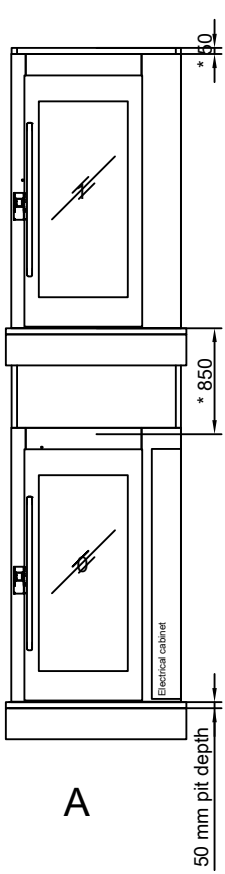


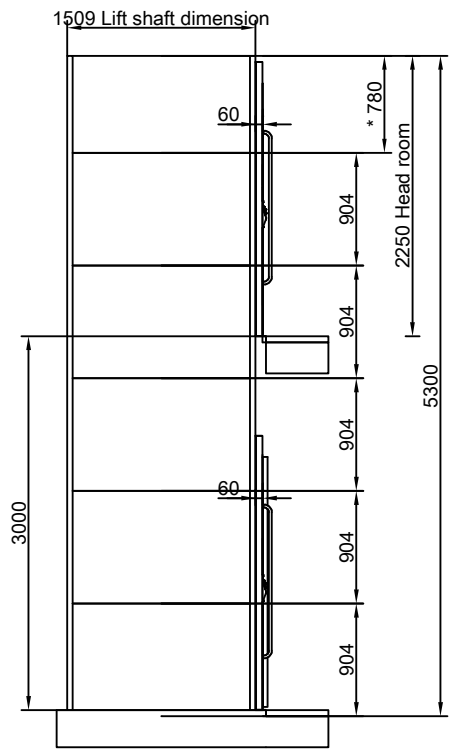
Cutout dimension see sheet 2, forces see sheet 3

Checklist We ask you to verify the information contained on these pages and then return them to us. Returning also attached drawing with any changes.

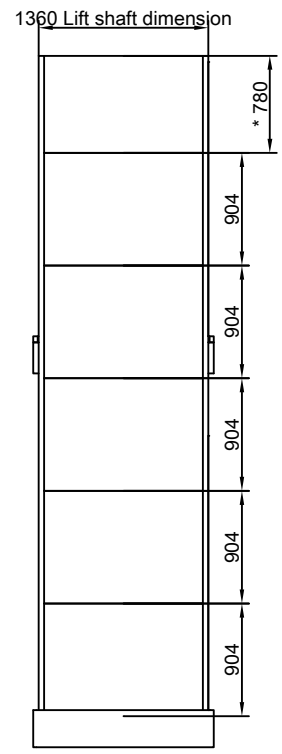
- First, check list before performing installation.
1. Check the specified lifting heights. The lift height is calculated from floor to floor any pit should NOT be counted
 2. Shaft wall construction, type of shaft elements (glass, metal) and placement
 3. Placement of doors and hanging.
 4. Electrical compartment placement (runners and drive are located behind the device instead)
 5. Slides should be placed against the wall. Side D per drawing, standing side D against the wall.
 6. Vertical mounting points (sized according to plan). Alternatively, 2 standing conventions of figure "attachment on the drawing" PIERCING. The attachments must be sized for 250N/1500 mm and shall be +/- 5 mm. Alternatively wall lined with OSB Discs or similar, representing a thrust of 250N/1500 mm.
 7. The bottom frame is fastened to the floor with M8x80 screw expander in plate angle shown in Figure "base frame" on the drawing PIERCING
 8. Control measure the cutout in the pit. Pit and holes in floors should unwind plumb and perpendicular. The pit must be level smoothed equivalent steel polished concrete. The floor should be painted with dust binding color.
 9. If there's a pit, check the measurement pit depth.
 10. Is there underfloor heating in the pit? In that case, where?
 11. Check cut out the soffit, see drawing "Cut out"
 12. Check cut out for door fronts, see drawing "Cut out"
 13. Wiring shall be drawn up to lift the lower part as per drawing "electrical"
 14. For shaft lighting in ceiling shall separate the power cable be pulled back into the trench upper part, 230 V. (if automatic shaft lighting is ordered, remove it.)
 15. Check performance of control buttons to spec platform layout
 16. Telephone wire alt GSM module must be installed in the elevator. Purchaser is responsible for an active phone line rental and SIM card (On GSM module) and programming information is received no prior installation of the elevator.
 17. NOTE that effective emergency telephone is required for approved inspection. The purchaser is responsible for receiving, unloading and storage of goods, and that there is free passage to the assembly site.
 18. Adjusted there any special requirements to get access to the workplace, such as ID06 or SSG, if YES, enter the.
- Work - 1. Erect scaffolding with fall protection for site built shafts or position at the open shaft or position. At A9000, the opposite trench wall (D-side) incorporate the rule for footbridge.
2. Shaft Openings are provided with guardrails and toe boards.
 3. If there are mounts for attaching game or lifting blocks in the shaft peak of 2.5 to 3 m height from the top floor. Load requirements 500 kg
 4. Stages and transport routes and floor at the site of installation is free of wiring, waste, materials or debris.
 5. Stored materials at the installation site does not collapse.
 6. If work must be carried out on roofs; requires that scaffolds and work platforms used are sized and adapted for the work to be performed.
 7. If work must be carried out on the roof, the roof the access and safety devices are in good and safe condition.
 8. Adequate lighting in the place of installation and access to building power for additional lighting.
 9. Doorways and passages have sufficient width and height (my 900x2100mm) and to swing space in passages of 4.5 meters for long cargo.
 10. Evacuation routes are marked and free and that there is emergency lighting
 11. There are staff spaces with warmth and ability to heat food and drink.
 12. There is access to the wash basin and toilet
 13. Coordinate work in the workplace according to AFS 1999:3
 14. Running regular activities in the same room as assembly work to be performed, the client is responsible for the necessary barriers exist.



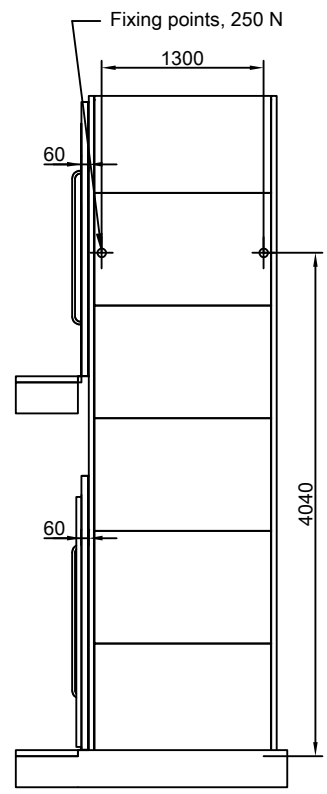
A



B



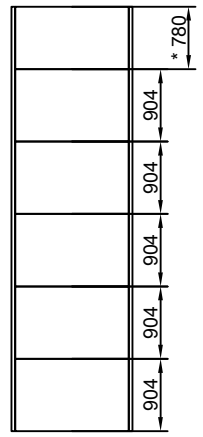
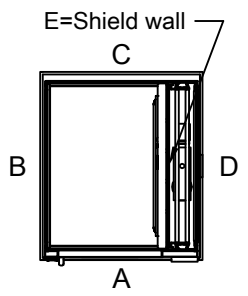
C



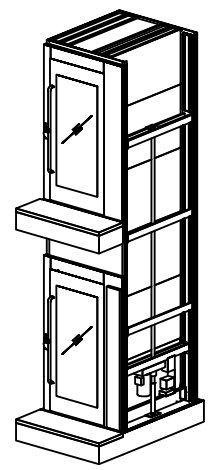
D

*To be adapted on site
**Customized panel

Positioning of machinery:



E



%%UOptions
Freq. 1x230/240V 50-60Hz 16A Soft
Capacity: 400,00 kg
Emergency lowering by battery

Approved by
builder:



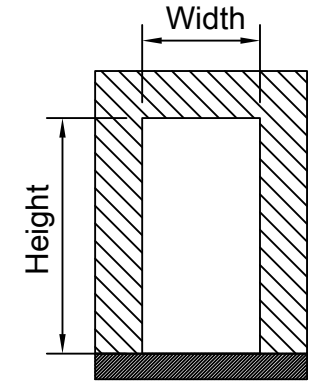
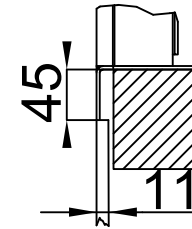
Tender no	Principal drawing		
	A4 - 1000*1467		
Order no	Shaft drawing		
	WEBSITE DETAILS 3		
Gen. Tolerances	Date	sheet	Scale:
	2017-07-14	1 of 6	1:45

Shaft cutout sizes

Lift unit installed within a shaft by others

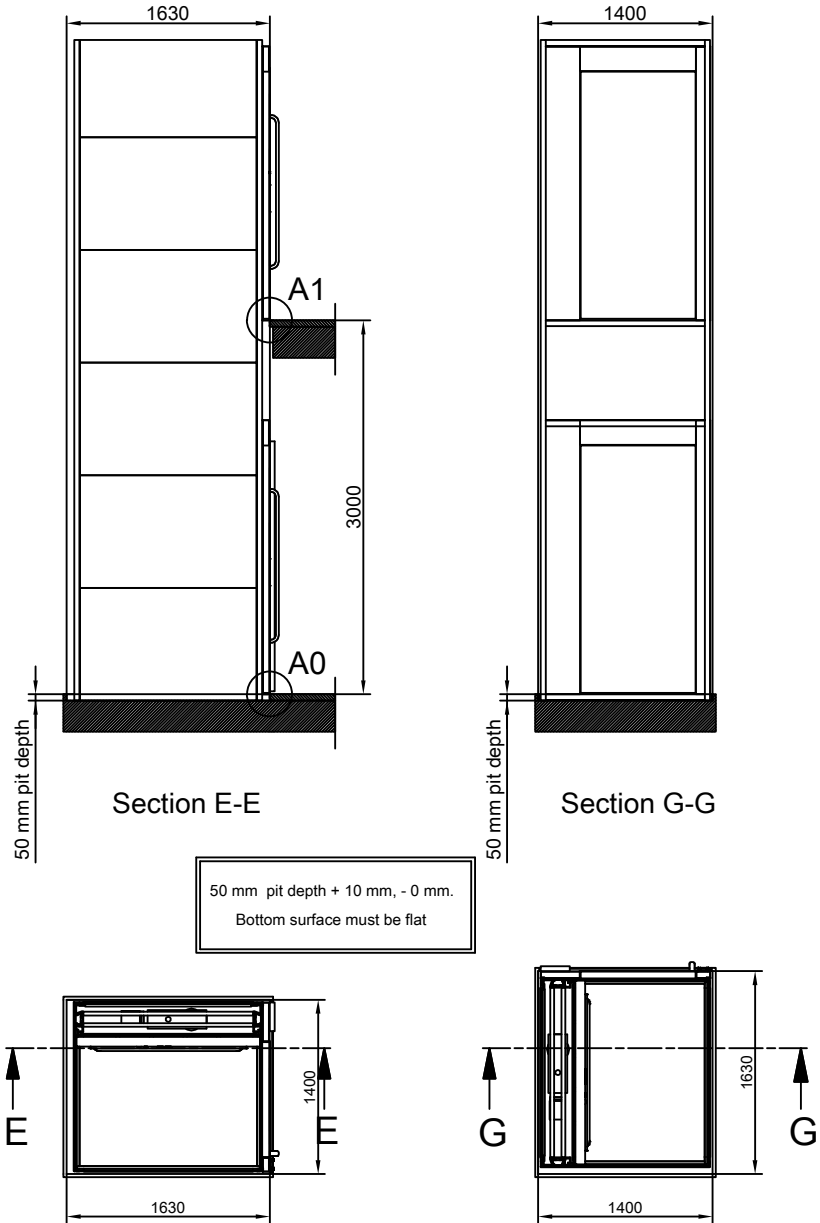
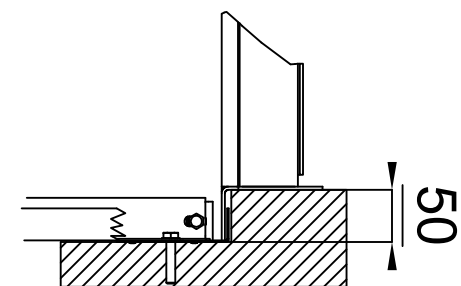
Door front cutout sizes		
Landing	Width	Height
A 0	1400	2250
A 1	1400	2250

A1 (1:5)



Door cut out

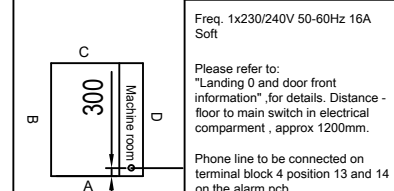
A0 (1:5)



50 mm pit depth + 10 mm, - 0 mm.
Bottom surface must be flat

Incoming power supply is connected at landing: 0, side A

The following signals may be forwarded from the lift:
 -Emergency signal: On the alarm pcb, the circuit between position 1 and position 2 on terminal board 4, is closed when the yellow alarm button is activated for 10 seconds.
 -Summary alarm: Any operational errors (8 different) can be forwarded to a local alarm central or reception from terminal board 3, spaces 14 (N.C.), 15 (N.O.) and 16 (COM) on the alarm pcb.



Freq. 1x230/240V 50-60Hz 16A Soft
 Please refer to: "Landing 0 and door front information", for details. Distance - floor to main switch in electrical compartment, approx 1200mm.
 Phone line to be connected on terminal block 4 position 13 and 14 on the alarm pcb

Approved by builder:



Tender no _____
 Order no _____
 Gen. Tolerances _____ Date _____ sheet _____ Scale: 1:45
Principal drawing
A4 - 1000*1467
Cut out sizes
WEBSITE DETAILS 3
 2017-07-14 2 of 6

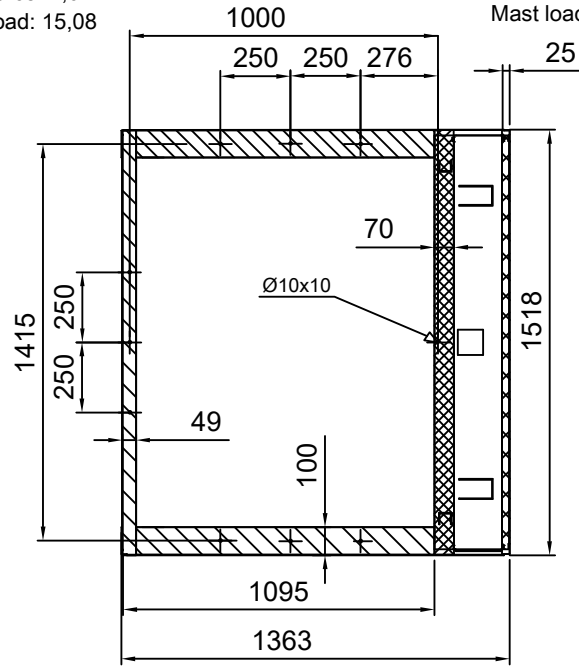
Loads sustained by shaft and platform
and fixing points bottom frame



L section force: 4,6 kN
L section load: 15,08
kN/m²



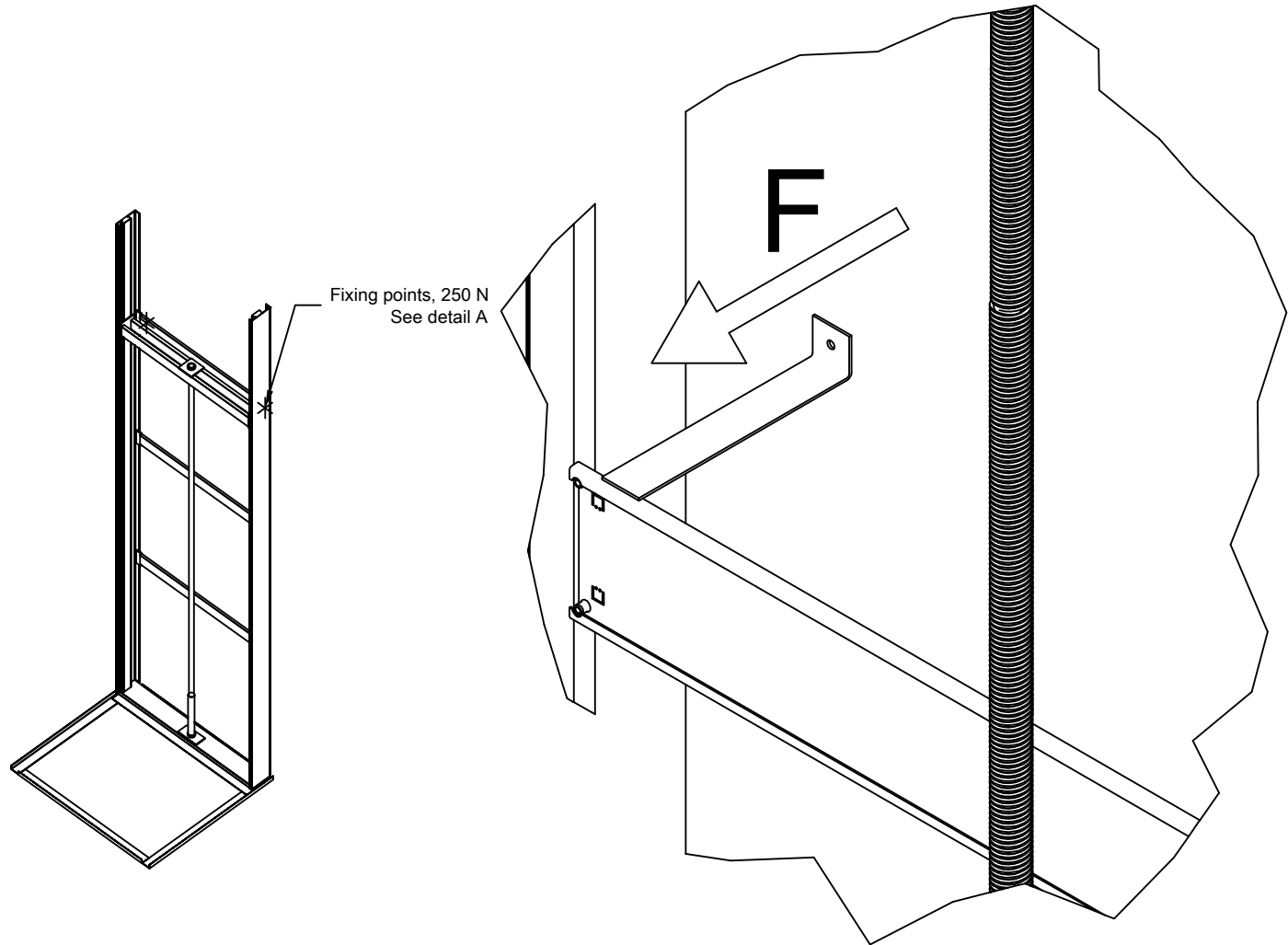
Mast force: 7,13 kN
Mast load: 57,5 kN/m²



Scale: 1:20

Recommended positioning of fixing points.
Loads per fixing point, F=250 N

A (1 : 5)



Approved by
builder:



Tender no

Order no

Gen. Tolerances

Principal drawing

A4 - 1000*1467

Loads and forces

WEBSITE DETAILS 3

Date

sheet

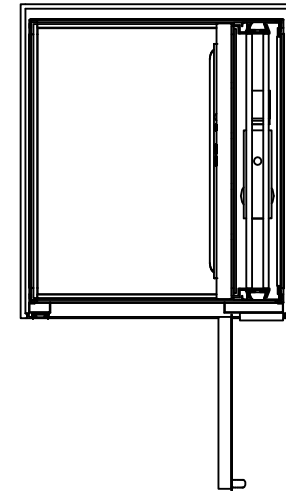
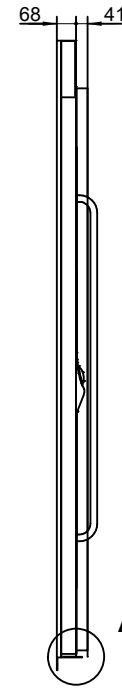
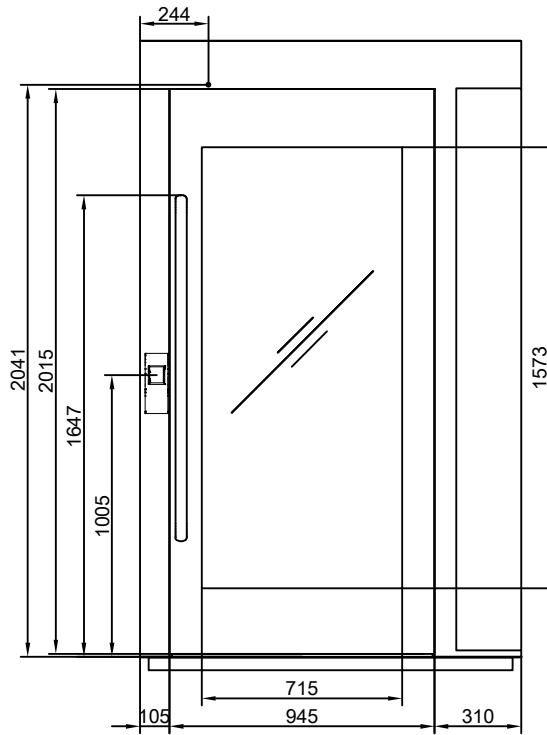
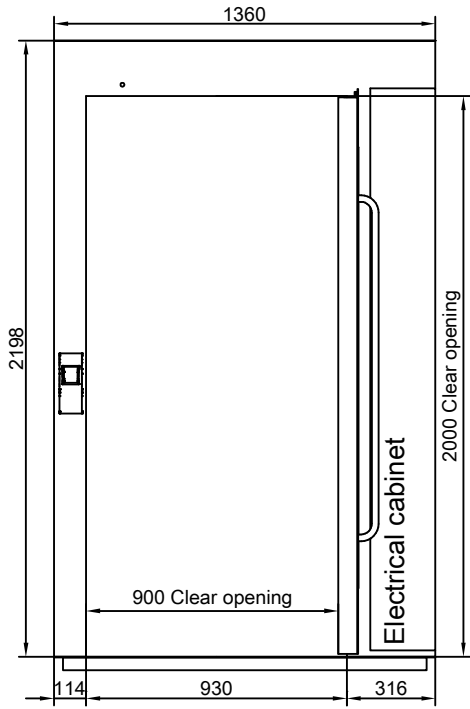
Scale:

2017-07-14 3 of 6

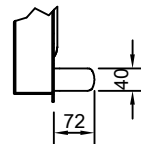
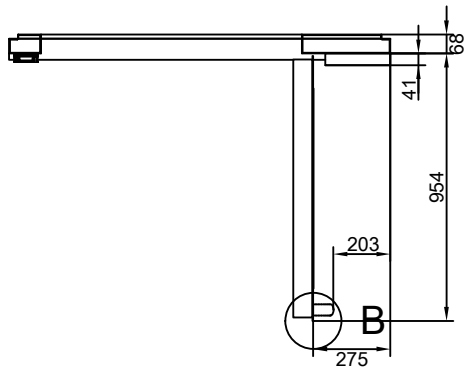
1:45

Landing 0 and door front information

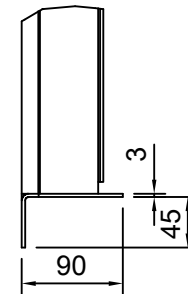
Scale: 1:20



Scale: 1:30



B (1:10)



Landing	Door type
0	A20
1	A20

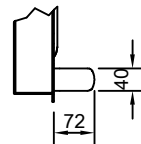
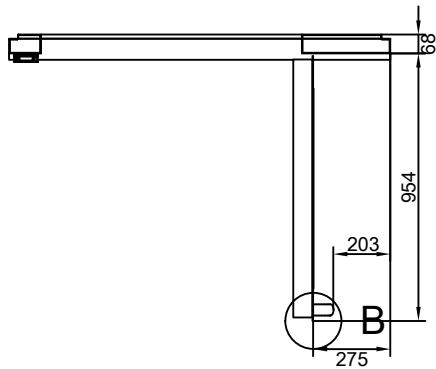
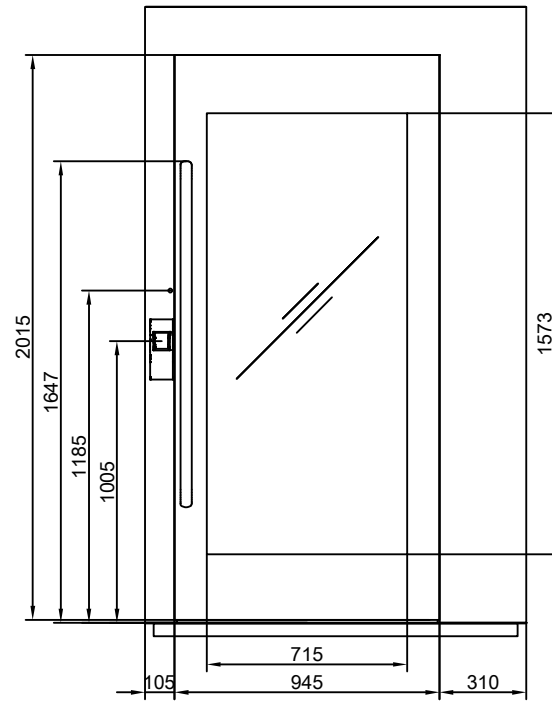
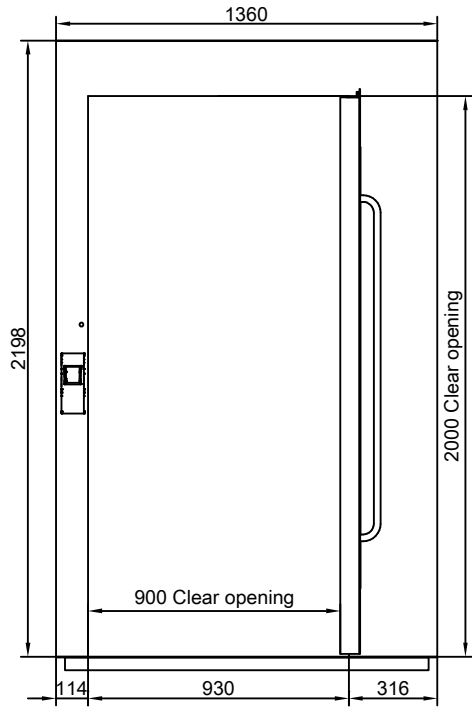
Approved by
builder:



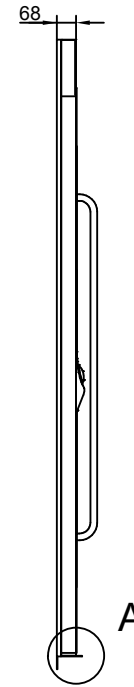
Tender no _____
Order no _____
Gen. Tolerances _____
Date _____ sheet _____ Scale: _____
Principal drawing
A4 - 1000*1467
Landing information
WEBSITE DETAILS 3

Landing 1 and door front information

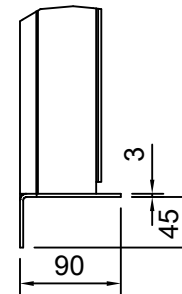
Scale: 1:20



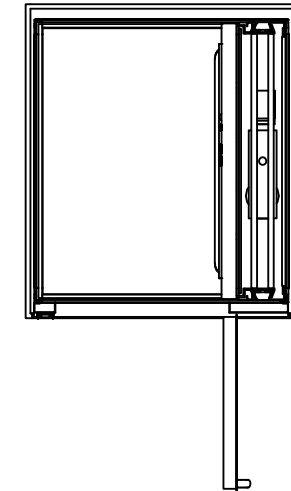
B (1:10)



A



A (1:5)



Scale: 1:30

Landing	Door type
0	A20
1	A20

Approved by
 builder:

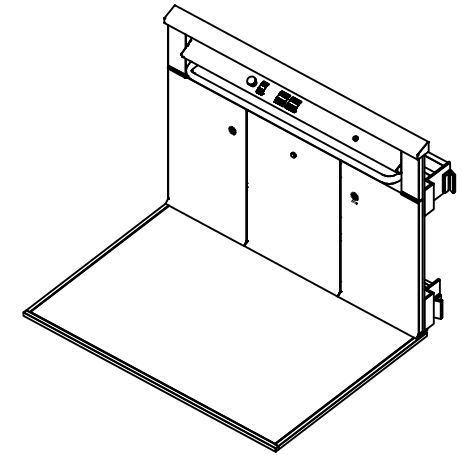
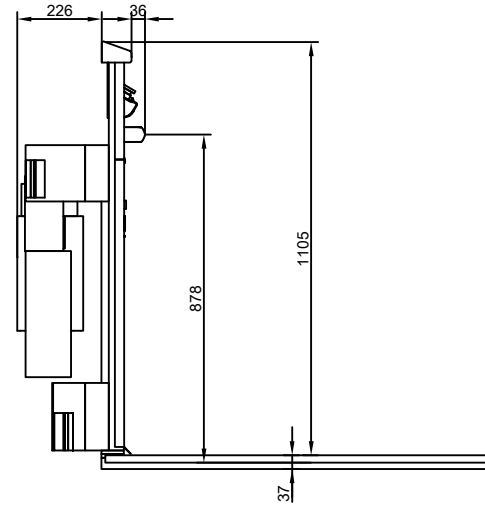
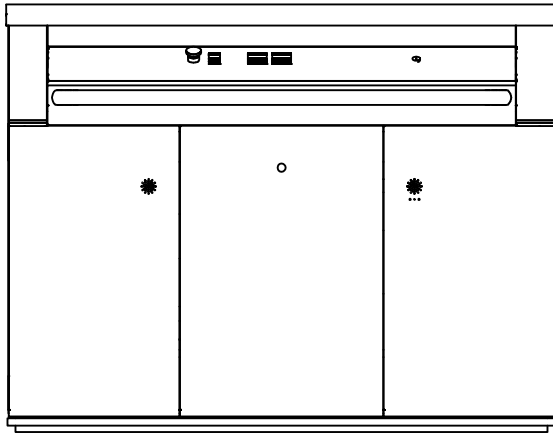


Tender no _____
 Order no _____
Principal drawing
 A4 - 1000*1467
 Landing information
 WEBSITE DETAILS 3

Gen. Tolerances _____ Date 2017-07-14 sheet 5 of 6 Scale: 1:45

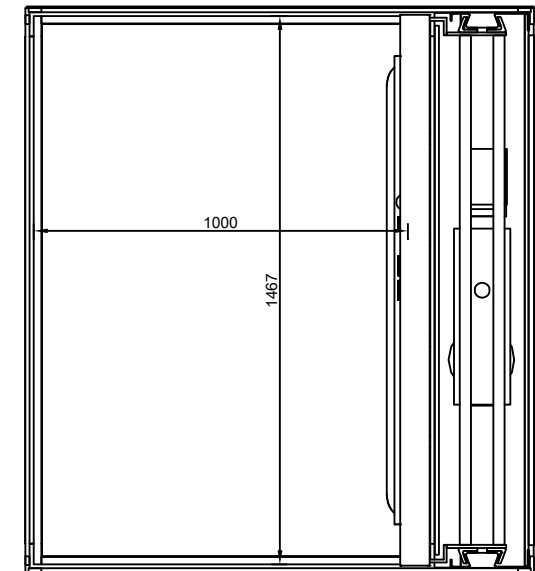
Platform layout

Scale: 1:15



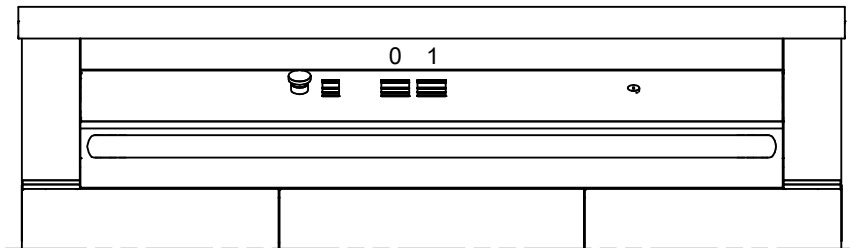
Platform dimensions

Scale: 1:15



Button layout

Scale: 1:10



Approved by
builder:

TECNO

PLATFORM LIFTS LTD

Tender no

Order no

Gen. Tolerances

Principal drawing

A4 - 1000*1467

Platform layout
WEBSITE DETAILS 3

Date

sheet

Scale:

2017-07-14 6 of 6

1:45