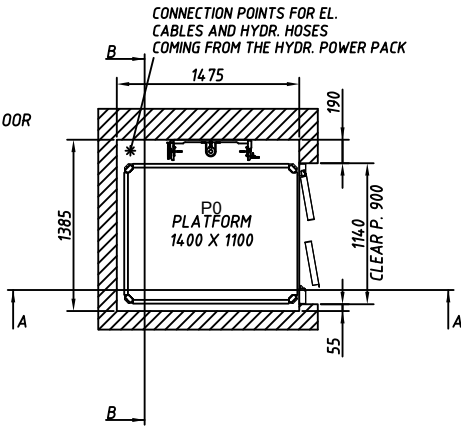
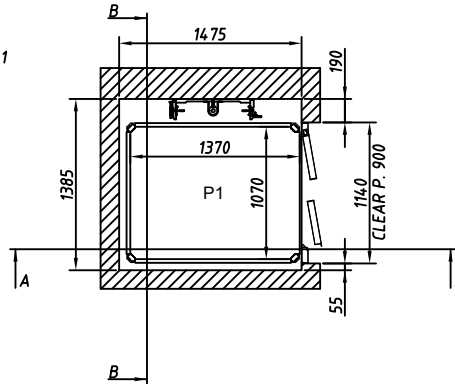


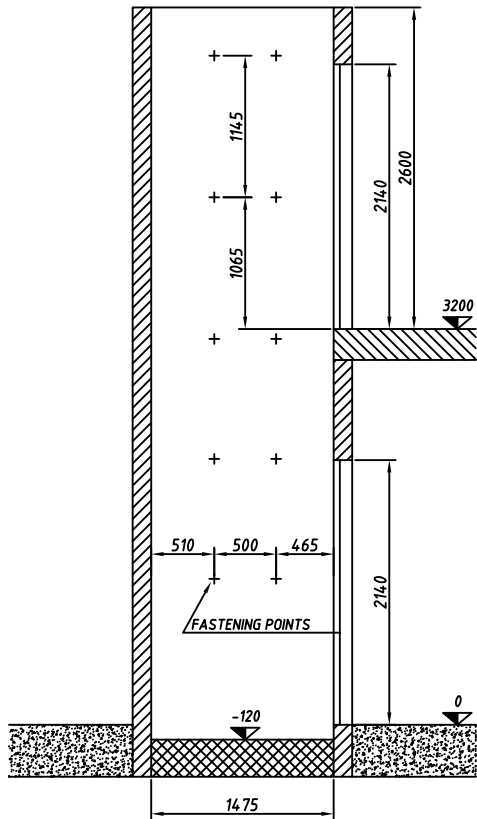
TOP VIEW GROUND FLOOR



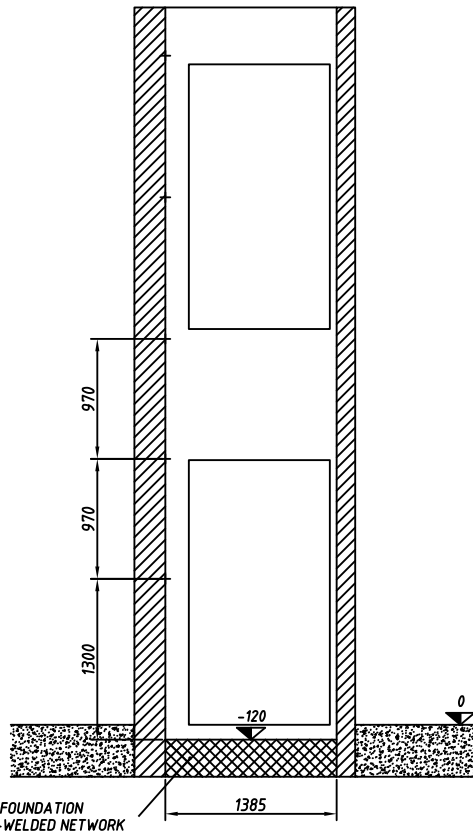
TOP VIEW FLOOR 1



SEZ. A-A



SEZ. B-B



**WARNING**  
THE SHAFT MEASUREMENTS  
AND DOORS POSITION  
ARE VERY IMPORTANT.  
THE ADMITTED TOLERANCE IS  
IS 5 mm ONLY.

**WARNING**  
THE SHAFT MEASUREMENTS  
AND DOORS POSITION  
ARE VERY IMPORTANT.  
THE ADMITTED TOLERANCE IS  
IS 5 mm ONLY.

**NOTE:**

- BUILD WALL ENCLOSURE WITH INTERNAL FREE DIMENSIONS THE WALL MUST BE PERFECTLY IN SQUARE AND VERTICAL; THE DOOR OPENINGS TO BE ROUGH AND THE FINISHING AFTER THE DOORS INSTALLATION.
- THE RAIL FASTENINGS TO BE CAREFULL WALLED AT THE GIVEN DISTANCES AND PERFECTLY VERTICAL.
- PROVIDE THE BOTTOM OF THE PIT WITH A SUTABLE HOLE FOR THE DRAINAGE OF RAIN WATER
- THE REVEAL MUST BE LEFT UNFINISHED.
- SET RACEWAYS #32 mm. DIAM. FOR THE LOCK EL. CABLES. THEY MUST CONNECT DOOR FOOTING LOCK SIDE WITH HYDRAULIC HOSES AND EL. CABLES ASSEMBLY AREA.
- ATTENTION: BEFORE INSTALLING, CHECHE THE POSSIBILITY OF INSERTING THE CYLINDER IN THE WALLED TRAVEL OPENING..... CYLINDER= 2391 mm
- SHAFT DOOR TO BE BUILT SO AS THE WALLS ADJACENT TO THE PLATFORM HAVE NOT OUTRIGGERS AND REENTRANCES OVER 2 mm.
- POSITION TWO BEAMS AS INDICATED IN THE DRAWING CALCULATE THE KIND OF BEAM AND THE ANCORAGE AS PER THE ENCLOSED LOADING DIAGRAM
- DRAWING FOR APPROVAL AND ACCEPTANCE OF COLLECTION WITHIN 30 DAYS FROM EQUIPMENT COMPLETION. DIFFERENTLY ORDER WILL BE CHARGED OF € 10,-/DAY UP TO MAX 60 DAYS - € 50,-/DAY IF OVER.

CONCRETE FOUNDATION  
WITH ELECTRIC - WELDED NETWORK