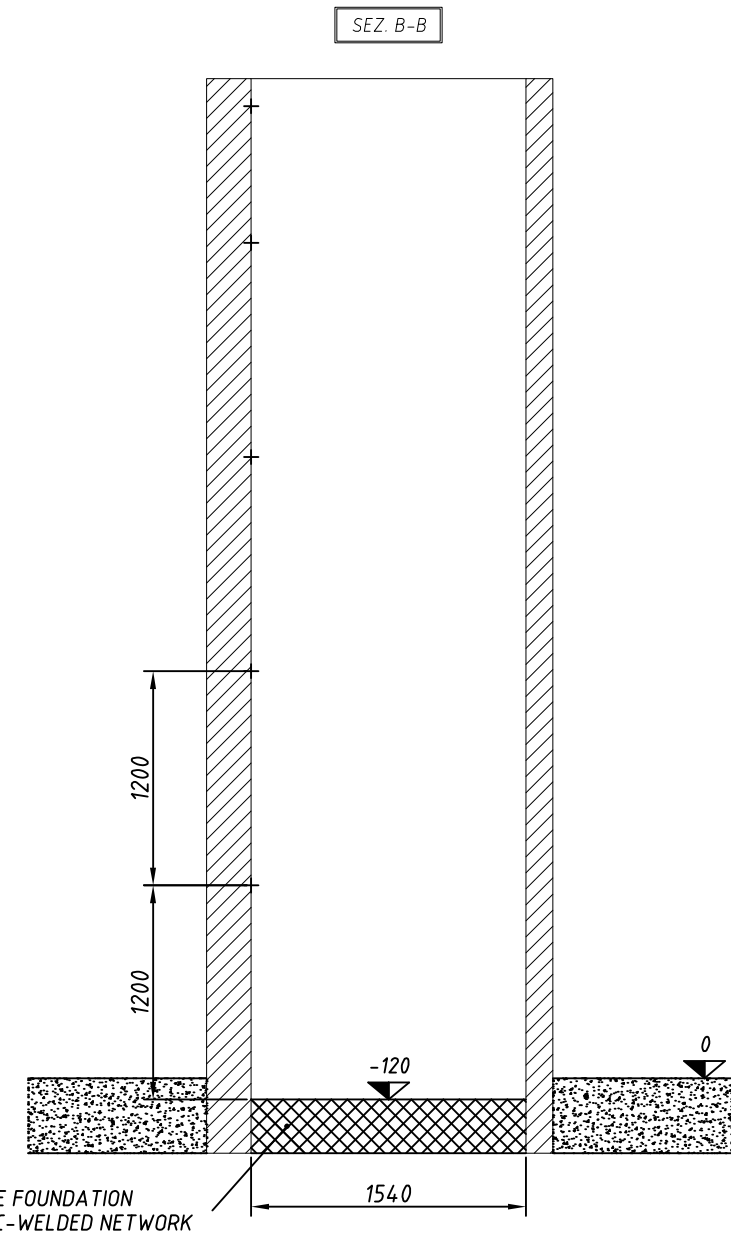


WARNING
 THE SHAFT MEASUREMENTS AND DOORS POSITION ARE VERY IMPORTANT. THE ADMITTED TOLERANCE IS 5 mm ONLY.



TECNO
 PLATFORM LIFTS LTD

WARNING
 THE SHAFT MEASUREMENTS AND DOORS POSITION ARE VERY IMPORTANT. THE ADMITTED TOLERANCE IS 5 mm ONLY.

- NOTE:**
- BUILD WALL ENCLOSURE WITH INTERNAL FREE DIMENSIONS THE WALL MUST BE PERFECTLY IN SQUARE AND VERTICAL; THE DOOR OPENINGS TO BE ROUGH AND THE FINISHING AFTER THE DOORS INSTALLATION.
 - THE RAIL FASTENINGS TO BE CAREFULL WALLED AT THE GIVEN DISTANCES AND PERFECTLY VERTICAL.
 - PROVIDE THE BOTTOM OF THE PIT WITH A SUITABLE HOLE FOR THE DRAINAGE OF RAIN WATER
 - THE REVEAL MUST BE LEFT UNFINISHED. THE FINISHING TO BE MADE AFTER HAVING WALLED THE DOORS.
 - SET RACEWAYS $\phi 40$ mm. DIAM. FOR THE LOCK EL. CABLES. THEY MUST CONNECT DOOR FOOTING LOCK SIDE WITH EL. CABLES ASSEMBLY AREA.
 - SHAFT DOOR TO BE BUILT SO AS THE WALLS ADJACENT TO THE PLATFORM HAVE NOT OUTRIGGERS AND REENTRANCES OVER 2 mm.
 - POSITION TWO BEAMS AS INDICATED IN THE DRAWING CALCULATE THE KIND OF BEAM AND THE ANCORAGE AS PER THE ENCLOSED LOADING DIAGRAM
 - DRAWING FOR APPROVAL AND ACCEPTANCE OF COLLECTION WITHIN 30 DAYS FROM EQUIPMENT COMPLETION. DIFFERENTLY ORDER WILL BE CHARGED OF € 10,-/DAY UP TO MAX 60 DAYS - € 50,-/DAY IF OVER.